

PTFE Lined Tees

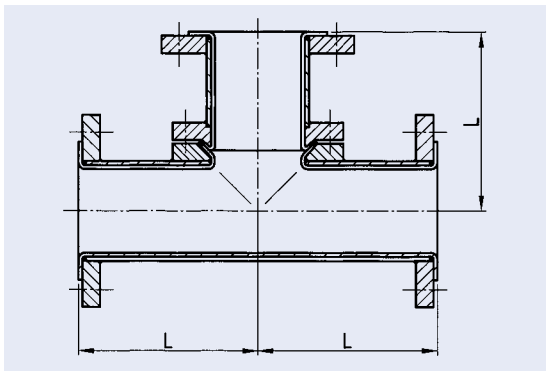
T-pieces up to 4" diam. are available with either of two different linings. The POLYFLURON® PTFE lined variant is supplied with a high performance flange connection of well-proven design (see drawing A).

As an alternative, PFA-lined tees are available as shown on drawing B. PFA is a tetrafluoroethylene-based copolymer with chemical and thermal properties comparable to those of PTFE. Fixed flanges are supplied as standard. Loose flanges are, however, also available on request.

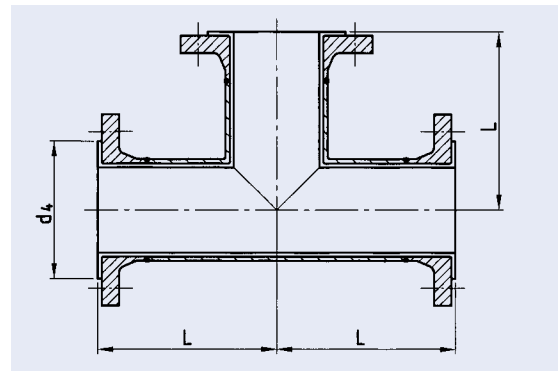
DN	L	Weight		Order no.	
		PTFE	PFA	white PTFE	white PFA
mm	mm	approx. kg	approx. kg		
1"	89		5		1TE0025106
1¼"	95	7.5	6.5	1TE0032118	1TE0032106
1½"	102	11	8.5	1TE0040119	1TE0040106
2"	114	17	13	1TE0050117	1TE0050106
2½"	127	18	17.5	1TE0065119	1TE0065106
3"	140	26	28	1TE0080119	1TE0080106
4"	165	40	47	1TE0100119	1TE0100106
5"	190	45		1TE0125103	
6"	203	63		1TE0150103	
8"	229	107		1TE0200103	
10"	279	153		1TE0250103	
12"	305	215		1TE0300103	
14"	356	294		1TE0350103	
16"	381	360		1TE0400103	
18"	419	455		1TE0450100	
20"	457	570		1TE0500103	

Subject to technical changes

Steel pipe dimensions, lining wall thicknesses and flange diameters correspond to the standard dimensions stated on Page 7.



PTFE lined T-pieces
Drawing A

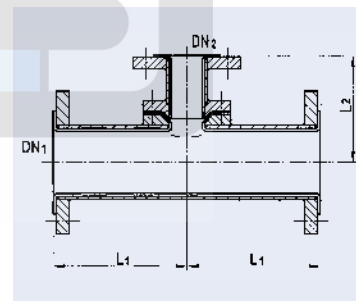


PFA lined T-pieces
Drawing B

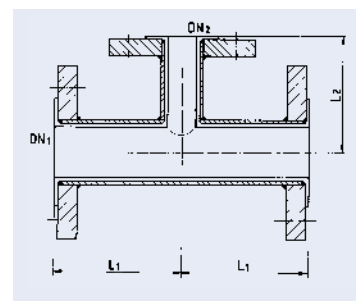
PTFE Lined Reducing Tees

All reducing tees are available with fixed flanges as standard. Loose flanges can also be supplied on request. PFA lined variants are also available up to 4" diam.. Intermediate sizes and special dimensions are supplied on request. Dimensions meet ANSI B 16.5.

DN ₁	DN ₂	L ₁	L ₂	PTFE lining		PFA lining	
				Weight	Order no.	Weight	Order no.
mm	mm	mm	mm	approx. kg		approx. kg	
1¼"	1"	95	95	5.3	1RT0032152	4.2	1RT0032112
1¼"	1"	102	102	6.1	1RT0040130	5.2	1RT0040112
2"	1½"	114	114	9.7	1RT0050154	8.7	1RT0050118
2"	1"	114	114	7.9	1RT0050155	8.4	1RT0050119
2½"	2"	127	127	15	1RT0065150	10.5	1RT0065118
2½"	1½"	127	127	14	1RT0065151	9.5	1RT0065119
3"	2"	140	140	18	1RT0080156	19	1RT0080118
3"	1½"	140	140	16	1RT0080157	18	1RT0080119
3"	1"	140	140	14	1RT0080158	17	1RT0080120
4"	3"	165	165	27	1RT0100156	34	1RT0100118
4"	2"	165	165	23	1RT0100157	31	1RT0100119
4"	1"	165	165	20	1RT0100158	29	1RT0100120
5"	4"	190	190	36	1RT0125112		
5"	3"	190	190	32	1RT0125113		
6"	4"	203	203	43	1RT0150112		
6"	3"	203	203	39	1RT0150113		
8"	6"	229	229	68	1RT0200108		
8"	4"	229	229	61	1RT0200109		
10"	8"	279	279	105	1RT0250112		
10"	6"	279	279	94	1RT0250113		
12"	10"	305	305	151	1RT0300118		
12"	8"	305	305	137	1RT0300119		
12"	6"	305	305	125	1RT0300120		
14"	12"	356	356	201	1RT0350118		
14"	10"	356	356	184	1RT0350119		
14"	8"	356	356	171	1RT0350120		
16"	14"	381	381	267	1RT0400118		
16"	12"	381	381	244	1RT0400119		
16"	10"	381	381	228	1RT0400120		
18"	16"	419	419	310	1RT0450100		
18"	14"	419	419	287	1RT0450101		
18"	12"	419	419	263	1RT0450102		
20"	16"	457	457	372	1RT0500118		
20"	14"	457	457	347	1RT0500119		
20"	12"	457	457	323	1RT0500120		



PTFE lined reducing T-piece



PFA lined reducing T-piece

Subject to technical changes

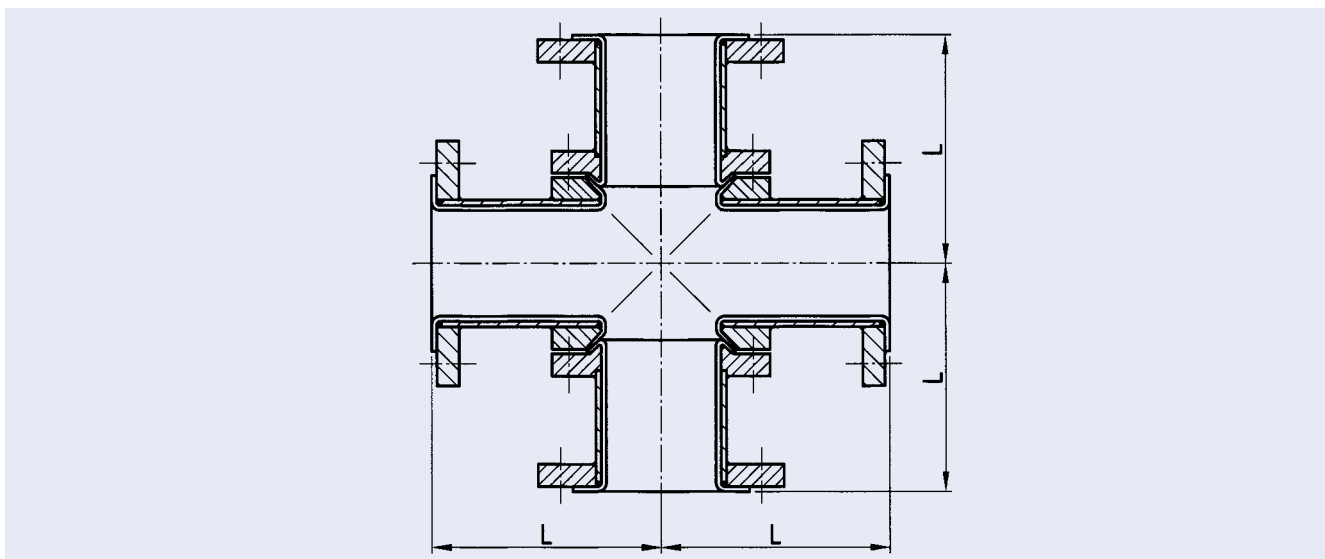
PTFE Lined Crosses

All crosses are available with fixed flanges as standard. Loose flanges can also be supplied on request. PFA lined variants are also available up to 4" diam.. Dimensions meet ANSI B 16.5.

DN	L	Weight		Order no.	
		PTFE approx. kg	PFA approx. kg	white PTFE	white PFA
mm	mm				
1"	89		5		1KR0025106
1¼"	95	9	6.5	1KR0032118	1KR0032106
1½"	102	12	8.5	1KR0040119	1KR0040106
2"	114	18	13	1KR0050117	1KR0050106
2½"	127	26	17.5	1KR0065119	1KR0065106
3"	140	31	28	1KR0080119	1KR0080106
4"	165	45	47	1KR0100119	1KR0100106
5"	190	69		1KR0125103	
6"	203	71		1KR0150103	
8"	229	115		1KR0200103	
10"	279	171		1KR0250103	
12"	305	235		1KR0300103	
14"	356	322		1KR0350103	
16"	381	418		1KR0400103	
18"	419	460		1KR0450100	
20"	457	565		1KR0500103	

Subject to technical changes

Steel pipe dimensions, lining wall thicknesses and flange diameters correspond to the standard dimensions stated on Page 7.

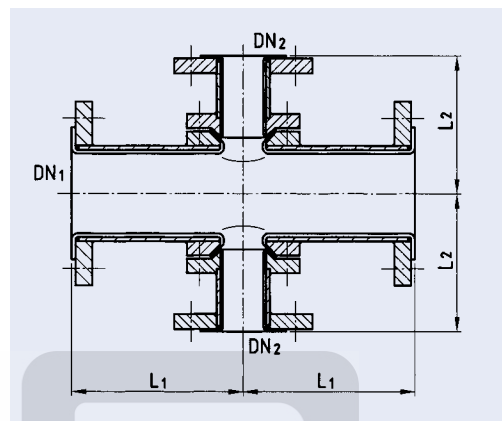


PTFE lined cross

PTFE Lined Reducing Crosses

All crosses are available with fixed flanges as standard. Loose flanges can also be supplied on request.
Dimensions meet ANSI B 16.5.

DN ₁	DN ₂	L ₁	L ₂	Weight		Order no.	
				PTFE	PFA	white PTFE	white PFA
mm	mm	mm	mm	ap- prox. kg	ap- prox. kg		
1¼"	1"	95	95	8.5	4.5	1KR0032182	1KR032142
1½"	1"	102	102	9.3	5.2	1KR0040162	1KR040144
2"	1½"	114	114	14	8.7	1KR0050178	1KR0050142
2"	1"	114	114	11	8.4	1KR0050179	1KR0050143
2½"	2"	127	127	18	12	1KR0065182	1KR0065150
2½"	1½"	127	127	16	11	1KR0065183	1KR0065151
3"	2"	140	140	22	19	1KR0080189	1KR0080151
3"	1½"	140	140	19	18	1KR0080190	1KR0080152
3"	1"	140	140	16	17	1KR0080191	1KR0080153
4"	3"	165	165	31	34	1KR0100189	1KR0100151
4"	2"	165	165	26	31	1KR0100190	1KR0032142
4"	1"	165	165	22	29	1KR0100191	1KR0100153
5"	4"	190	190	42		1KR0125128	
5"	3"	190	190	33		1KR0125129	
6"	4"	203	203	49		1KR0150128	
6"	3"	203	203	43		1KR0150129	
8"	6"	229	229	76		1KR0200124	
8"	4"	229	229	62		1KR0200125	
10"	8"	279	279	165		1KR0250128	
10"	6"	279	279	108		1KR0250129	
12"	10"	305	305	187		1KR0300134	
12"	8"	305	305	165		1KR0300135	
12"	6"	305	305	142		1KR0300136	
14"	12"	356	356	259		1KR0350134	
14"	10"	356	356	231		1KR0350135	
14"	8"	356	365	212		1KR0350136	
16"	14"	381	381	323		1KR0400134	
16"	12"	381	381	288		1KR0400135	
16"	10"	381	381	261		1KR0400136	
18"	16"	419	419	415		1KR0450104	
18"	14"	419	419	381		1KR0450105	
18"	12"	419	419	347		1KR0450106	
20"	16"	457	457	459		1KR0500134	
20"	14"	457	457	417		1KR0500135	
20"	12"	457	457	355		1KR0500136	



Steel pipe dimensions, lining wall thicknesses and flange diameters correspond to the standard dimensions stated on Page 7.

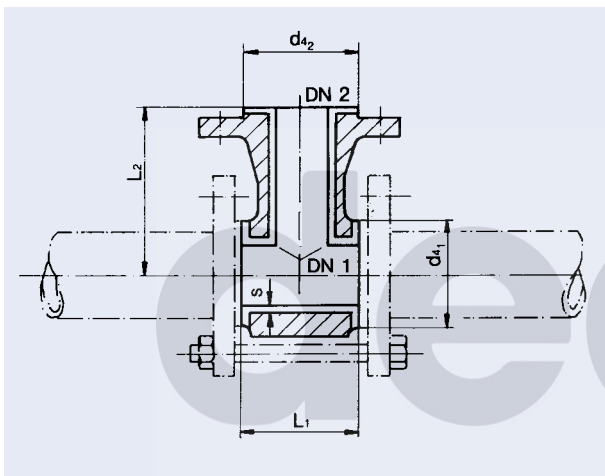
Subject to technical changes

PTFE Lined Instrument Tees

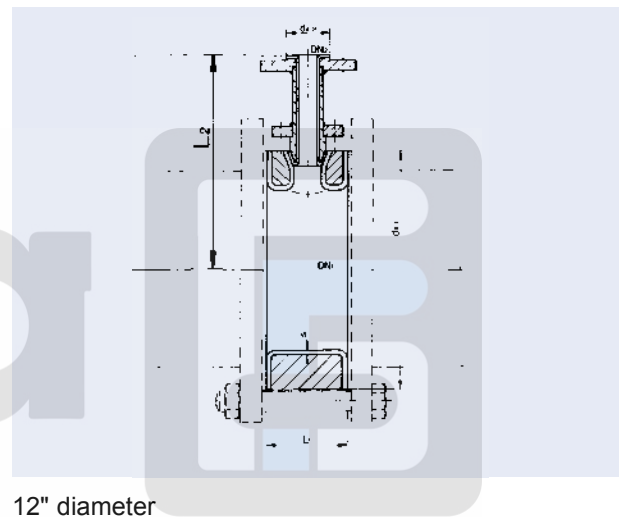
Instrument tees are used to connect manometers or thermometers, and also for sampling.

Instrument tees up to 10" diam. are supplied with a PFA lining. PFA is a tetrafluorethylene-based copolymer with chemical and thermal properties comparable to those of PTFE.

Products of 12" diam. or above are available in POLYFLURON® PTFE lined steel (see table and drawings below). Dimensions meet ASME B 16.5.



10" diameter



12" diameter

DN1	DN2	L ₁	L ₂	Weight	Order no.
mm	mm	mm	mm	approx. kg	white PFA
1"	1"	50	89	1.9	1ME0025101
1¼"	1"	50	95	2.8	1ME0032101
1½"	1½"	75	102	4.4	1ME0040103
1½"	1"	50	102	2.4	1ME0040102
2"	2"	90	114	8.1	1ME0050105
2"	1½"	75	114	6.2	1ME0050104
2"	1"	50	114	3.2	1ME0050103
2½"	2"	90	127	11	1ME0065105
2½"	1½"	75	127	9	1ME0065104
2½"	1"	50	127	5	1ME0065103
3"	2"	90	140	14	1ME0080105
3"	1½"	75	140	8.3	1ME0080104
3"	1"	50	140	4.3	1ME0080103

Subject to technical changes

Large diameters are shown on the next page.

PTFE Lined Instrument Tees

DN1	DN2	L ₁	L ₂	Weight	Order no.
mm	mm	mm	mm	approx. kg	white PFA/PTFE
4"	2"	90	165	17.5	1ME0100105
4"	1½"	75	165	10	1ME0100104
4"	1"	50	165	5.5	1ME0100103
5"	2"	90	190	22	1ME0125105
5"	1½"	75	190	14	1ME0125104
5"	1"	50	190	9	1ME0125103
6"	2"	90	203	24	1ME0150105
6"	1½"	75	203	15	1ME0150104
6"	1"	50	203	7.7	1ME0150103
8"	2"	90	229	26	1ME0200105
8"	1½"	75	229	18	1ME0200104
8"	1"	50	229	11	1ME0200103
10"	2"	90	279	28	1ME0250105
10"	1½"	75	279	24	1ME0250104
10"	1"	50	279	15	1ME0250103
12"	2"	120	330	30	1ME0300105
12"	1½"	105	330	29	1ME0300104
12"	1"	90	330	27	1ME0300103
14"	2"	120	360	44	1ME0350105
14"	1½"	105	360	43	1ME0350104
14"	1"	90	360	42	1ME06350103
16"	2"	120	390	51	1ME0400105
16"	1½"	105	390	49	1ME0400104
16"	1"	90	390	48	1ME0400103
18"	2"	120	430	58	1ME0450102
18"	1½"	105	430	57	1ME0450101
18"	1"	90	430	56	1ME0450100
20"	2"	120	450	66	1ME0500105
20"	1½"	105	450	65	1ME0500104
20"	1"	90	450	64	1ME0500103
					1ME0600105
					1ME0600104
					1ME0600103

Subject to technical changes